



HAL
open science

Multiallelic rare variants support an oligogenic origin of sudden cardiac death in the young

Hager Jaouadi, Yosra Bouyacoub, Sonia Chabrak, Lilia Kraoua, Amira Zaroui, Sahar Elouej, Majdi Nagara, Hamza Dallali, Valérie Delague, Nicolas Levy, et al.

► To cite this version:

Hager Jaouadi, Yosra Bouyacoub, Sonia Chabrak, Lilia Kraoua, Amira Zaroui, et al.. Multiallelic rare variants support an oligogenic origin of sudden cardiac death in the young. *Herz*, 2020, 46 (S1), pp.94-102. 10.1007/s00059-019-04883-1 . hal-02965635

HAL Id: hal-02965635

<https://amu.hal.science/hal-02965635>

Submitted on 28 Apr 2021

HAL is a multi-disciplinary open access archive for the deposit and dissemination of scientific research documents, whether they are published or not. The documents may come from teaching and research institutions in France or abroad, or from public or private research centers.

L'archive ouverte pluridisciplinaire **HAL**, est destinée au dépôt et à la diffusion de documents scientifiques de niveau recherche, publiés ou non, émanant des établissements d'enseignement et de recherche français ou étrangers, des laboratoires publics ou privés.

Multiallelic rare variants support an oligogenic origin of sudden cardiac death in the young

Hager JAOUADI¹, Yosra BOUYACOUB¹, Sonia CHABRAK^{2,3}, Lilia KRAOUA⁴, Amira ZAROUF³, Sahar ELOUEJ⁵, Majdi NAGARA¹, Hamza DALLALI¹, Valérie DELAGUE⁵, Nicolas LEVY⁵, Rym BENKHALIFA⁶, Rachid MECHMECHE^{2,3}, Stéphane ZAFFRAN⁵, Sonia ABDELHAK¹.

¹ Biomedical Genomics and Oncogenetics Laboratory LR16IPT05, Institut Pasteur de Tunis, Université Tunis El Manar, Tunis, Tunisia.

² Department of Cardiology, La Rabta Hospital, Tunis, Tunisia.

³ Faculty of Medicine of Tunis, Université Tunis El Manar, Tunis, Tunisia.

⁴ Department of Congenital and Hereditary Diseases, Charles Nicolle Hospital, Tunis, Tunisia.

⁵ Aix Marseille University, INSERM, Marseille Medical Genetics, U1251, Marseille, France.

⁶ Venoms and Therapeutic Biomolecules Laboratory LR16IPT08, Institut Pasteur de Tunis, Tunisia.

Corresponding Author:

Hager Jaouadi, PhD

Biomedical Genomics and Oncogenetics Laboratory LR16IPT05

Institut Pasteur de Tunis

13, Place Pasteur, BP74-1002 Tunis, belvédère, Tunisie

Tel: +21671843755

E-mail: jaouadihager@gmail.com

ORCID: 0000-0002-6806-0072

Conflicts of interest: The authors declare that they have no conflict of interest.

Abstract

Unexplained sudden death in the young is cardiovascular in most cases. Structural and conduction defects in cardiac-related genes can conspire to underlie sudden cardiac death. Here we report on a clinical investigation and an extensive genetic assessment of a Tunisian family with sudden cardiac death in young members. In order to identify the family-genetic basis of sudden cardiac death, we performed Whole Exome Sequencing (WES), read depth copy-number-variation (CNV) screening and segregation analysis. We identify 6 ultra-rare heterozygous variants in *OBSCN*, *RYR2*, *DSC2*, *AKAP9*, *CACNA1C* and *RBM20* genes and one homozygous splicing variant in *TECRL* gene consistent with an oligogenic model of inheritance. CNV analysis did not reveal any causative CNV. Overall, our results are highly suggestive for a cumulative effect of several variants as disease causation and to account for a greater disease severity among offspring. Our study further confirms the complexity of the inheritance of sudden cardiac death and highlights the utility of family-based WES in the identification of family specific mutations within different cardiac genes pathways.

Keywords: calcium mishandling; oligogenic inheritance; sudden unexplained cardiac death; *TECRL* gene; whole exome sequencing.

Introduction

Sudden unexplained death in the young is defined as an unexplained sudden death occurring in an individual older than 1 year of age (Priori et al. 2013; Brion et al. 2015). The cause of death remains unexplained after a thorough investigation including performance of autopsy, review of the circumstances of death and clinical history (Wilhelm et al. 2015; Neubauer et al. 2017). A major proportion of sudden unexplained deaths are considered to be caused by inherited cardiac diseases (Hata et al. 2016). Sudden death may be the first manifestation of these diseases and initial phenotypic alterations may not be visible at autopsy or it can be considered unspecific or within the normal range (Christiansen et al. 2016). Contrary to patients aged over 40 years, whose coronary artery disease is the main trigger of sudden cardiac death, the implication of genetic factors in young cases is the major cause of sudden cardiac death (Brion et al. 2015).

Cardiologic and molecular genetic evaluation of first-degree relatives of young individuals experiencing sudden cardiac death is recommended (Behr et al. 2003, 2008; van der Werf et al. 2010). Testing yields from large sudden unexplained death cohort studies varied from 10 to 30 % (Bagnall et al. 2014; Lahrouchi et al. 2017). This low yield of genetic testing may be explained by the complex genetic etiology of this cardiac disorder and the implication of novel genes, not yet identified.

Several studies suggest that alterations of the Ca^{2+} homeostasis in the sarcomere and electric dysfunction as a new pathophysiological mechanism underlying sudden cardiac death (Brion et al. 2012, 2014).

Cardiac arrhythmias syndromes are mostly inherited in an autosomal dominant manner but may exhibit incomplete penetrance, a high variable expressivity and phenotypic overlap. This fact is probably due to a combination of genetic variants and the additive effect of multiple independent mutations may increase the severity of the phenotype (Coll et al. 2017). Here, we report the results of clinical and genetic investigation of a Tunisian family with high incidence of sudden cardiac death in young members.

Material and methods

Whole Exome Sequencing (WES)

Peripheral blood sample was collected after obtaining the written informed consent from all family members included in this study or their guardians. Genomic DNA was extracted by standard techniques from the codified samples.

Whole exome sequencing was performed for both parents (II:1 and II:2), the deceased child (III:4) and the youngest child (III:5) (Figure 1), using the NimbleGen SeqCap EZ MedExome kit (total design size 47 Mb) according to the manufacturer's protocol (Roche Sequencing Solutions, Madison, USA). Paired-end 150-bp reads from the DNA libraries were sequenced using Illumina NextSeq 500 platform (Illumina, San Diego, CA, USA).

Raw data were mapped to the built of the human genome (hg19) by using BWA 0.7.5. Variant calling and annotation were performed using GATK and ANNOVAR, respectively. Variant annotation process and exome analysis were performed with VarAFT software, version 2.06 (<http://varaft.eu/>).

Variant filtering strategy

Several filter settings were applied to pinpoint putatively causal variants according to both autosomal recessive and autosomal dominant pattern of inheritance. In order to reduce the significant number of variants, we first excluded variants with a Minor Allele Frequency (MAF) > 1% in ExAC database (<http://exac.broadinstitute.org/>). Then, we removed all non-coding and synonymous variants. Subsequently, the variant list (including rare, nonsense, missense, splice site variants and Indels) was filtered according to the following *in silico* prediction algorithms: Sorting Tolerant From Intolerant (<http://sift.jcvi.org/>), PolyPhen-2 (Polymorphism Phenotyping v2; <http://genetics.bwh.harvard.edu/pph2/>) and UMD Predictor (<http://umd-predictor.eu/>).

In a second step, to select potential pathogenic and clinically relevant variants, we performed a targeted gene analysis using a large list containing 198 known cardiomyopathy-associated genes (including cardiomyopathies, arrhythmias and channelopathies-associated genes) and genes known to cause metabolic disease and/or genetic syndromes (Suppl.Table1).

More accurately, for the autosomal recessive model, a pedigree based analysis was performed, considering (i) both III :4 and III :5 as affected members (candidate variant present in homozygous state in III :4 and III :5) and (ii) III :4 as affected member and III :5 as unaffected (candidate variant present in homozygous state in III :4 and in heterozygous state or absent in III :5). Similarly, we applied the same strategy of analysis assuming an autosomal dominant pattern of inheritance.

Sanger validation

In order to validate whole exome sequencing results, all the putative causal variants prioritized were confirmed by Sanger sequencing.

WES variants filtering and prioritization strategy is summarized in Figure 2.

CNV calling

Copy number variations were called from WES data using ExomeDepth (version 1.1.10, <https://CRAN.R-project.org/package=ExomeDepth>). ExomeDepth has been reported to be better than most methods of exome-based read depth CNV calls (Plagnol et al. 2012; Tan et al. 2014; Lopes et al. 2015).

CNV annotation and prioritization

AnnotSV (<https://lbgj.fr/AnnotSV/>) was used to annotate CNV by incorporating CNV data from OMIM (<https://www.omim.org/>), 1000Genomes Project (<http://www.internationalgenome.org/>), ExAC, DGV (<http://dgv.tcag.ca/dgv/app/home>) and DECIPHER (<https://decipher.sanger.ac.uk/>). Thus, to filter out common CNV we selected the DGV variants overlapping at least 70% of CNV identified in our family members. Moreover, AnnotSV generates for each CNV one annotation based on the full length CNV and one annotation for each gene within the CNV, which aid to detect the potentially causative CNV. In addition to these annotations, AnnotSV provides a classification delineated by the American College of Medical Genetics and Genomics (ACMG). Hence, for our CNV analysis and prioritization we first performed a gene-based search to determine if genes implicated in the cardiovascular system are included in the identified CNV. Then, we focused on CNV classified as ‘likely pathogenic’ and ‘pathogenic’ according to the ACMG guidelines and CNV affecting genes in cardiac-related pathways.

The genetic study design of the family is summarized in Figure 3.

Results

Family members' clinical data

Clinical findings and personal history of family members are described below. Family pedigree is shown in Figure 1.

II: 2 (proband). The proband is 42 years-old, she had a history of 2 syncopes in a vasovagal context at the age of 28 and 29 years. A 12-lead ECG did not show any anomalies. Flecainide test was performed three times, it was positive once. Echocardiography revealed a slight dilation of right ventricle. After the sudden death of her two children (III:1 and III:2) she received an implantable cardioverter defibrillator (ICD) at the age of 29 years-old. Since the implantation, the ICD has never shocked; she is treated with *CoAprovel* for her hypertension.

III:1 he was asymptomatic until the age of 8 years-old and 2 months when he deceased suddenly while playing.

III:2 she died suddenly at the same age of her brother's death (8 years-old and 2 months) while she was walking. She was asymptomatic.

III:3 is the fourth proband's pregnancy. Pregnancy was interrupted at 32 weeks by spontaneous miscarriage. Autopsy of the fetus was performed and revealed a structurally normal heart.

III:4 is the third deceased child. She died suddenly at the age of 8 years-old and 4 months when she was at school. Her first cardiac examination was without abnormalities except a pulmonary valvular stenosis of very low gradient. Flecainide test was performed twice (at 3 and 5 years-old) and was negative. Rhythm monitoring did not show any significant cardiac arrhythmias. Doppler echocardiography performed at 3 years-old revealed left ventricular dilation without hypertrophy with a well-preserved function (end-diastolic diameter = 31mm

and end-systolic diameter = 17mm). Neither aortic insufficiency nor valvular aortic stenosis were observed. She had syncope at the age of 5 years-old upon waking up in the morning. Last cardiac examination was at the age of 6 years-old and she was asymptomatic at that time.

III:5 is the youngest proband's child, although she was asymptomatic and no conclusive diagnosis was made, a decision of implantation of an implantable cardioverter defibrillator was taken owing to the sudden deaths of her three siblings. Her 12-lead ECG was normal except signs of short PR interval associated to early repolarization. Holter monitoring was normal except 2 ventricular extra-systoles that occurred in the morning. Magnetic resonance imaging revealed a slight ventricular dilation.

II:1 is the proband's husband. They are first cousins. His cardiac examination was normal. He has no personal history of syncope or any other heart discomfort.

Family history and extended cardiac evaluation

I:2 is the proband's father, he is 63 years-old. His medical history was unremarkable. A 12-lead ECG did not show any abnormalities.

Cardiac examination of other family members showed that the maternal uncle of the proband (**I:9**), followed for several years for ventricular excitability disorder, had arrhythmogenic cardiomyopathy as well as his son (**II:8**). Family investigation revealed a high number of sudden deaths: two maternal uncles died suddenly at 24 and 25 years-old (**I:5** and **I:6**) and one proband's brother died at a very early age (**II:4**). Unfortunately, no DNA of this branch of the family was available.

Genetic investigation of the family

SCN5A sequencing

Taking into account the clinical data of the proband including mainly: 2 episodes of syncope, positive response to the flecainide test and the sudden death of her 2 children, the *SCN5A* gene was first sequenced but no causative mutation was found. Therefore, a whole exome sequencing was performed for the proband (II:2), the deceased child (III:4), the youngest child (III:5) and their father (II:1) in a research context in order to identify the genetic basis underlying the sudden death in the family.

Whole exome sequencing

The average coverage of all targeted exome was 95% at $\geq 20X$ and 92% at $\geq 30X$. The use of whole exome sequencing enabled us to perform a targeted analysis by focusing on 198 cardiac-related genes. Using the *in-house* VarAFT software, both recessive and dominant models of inheritance have been performed.

In total, 7 missense variants and one splice-site variant were identified as pathogenic and likely causative (Table 1).

Table 1: List of variants identified in this study.

Gene	OMIM number/phenotype	cDNA change	Protein change	Geno-type	Inheritance	rs ID	AF ExAC	AC gnomAD	AF gnomAD	AF GME Variome	SIFT	PolyPhen	UMD score	UMD prediction
<i>OBSCN</i>	608616/DCM/HCM	c.20563C>A	p.R6855S	HTZ	MI	NA	NA	NA	NA	NA	D	D	96	Pathogenic
<i>DSC2</i>	125645/ARVD11	c.2603C>T	p.S868F	HTZ	MI	rs141873745	5.769 ^{e-5}	13	4.694 ^{e-5}	0.001	D	D	93	Pathogenic
<i>VCL</i>	193065//DCM/HCM	c.2046A>T	p.L682F	HTZ	MI	rs565398652	6.589 ^{e-5}	17	6.132 ^{e-5}	NA	T	D	75	Pathogenic
<i>RYR2</i>	180902/ARVD2/CPVT1	c.3660T>A	p.D1220E	HTZ	MI	rs1019112544	NA	NA	NA	NA	D	B	69	Probably pathogenic
<i>AKAP9</i>	604001/LQTS11	c.4826G>A	p.R1609K	HTZ	MI	rs148146011	0.0004	133	0.0048	0.006	T	B	69	Probably pathogenic
<i>CACNA1C</i>	114205/ BrS 3/ LQTS 8/ Timothy S	c.5383G>A	p.G1795R	HTZ	PI	rs111298509	0.0057	1295	0.005	0.003	T	D	100	Pathogenic
<i>RBM20</i>	613171/DCM	c.1364C>T	p.S455L	HTZ	PI	rs189569984	0.0048	954	0.009	0.001	D	D	66	Probably pathogenic
<i>TECL1</i>	614021/CPVT 3	c.331+1G>A	IVS3DS, G-A, +1	HMZ*	MI and PI	rs1057517699	NA	NA	NA	NA	NA	NA	NA	NA

OMIM: Online Mendelian Inheritance in Man; DCM: Dilated cardiomyopathy; HCM: Hypertrophic cardiomyopathy; ARVD: Arrhythmogenic Right Ventricular Dysplasia; CPVT: Catecholaminergic Polymorphic Ventricular Tachycardia; LQTS: Long QT Syndrome; BrS: Brugada syndrome; HTZ: Heterozygous; HMZ*: Homozygous in III:4 member; MI: maternally inherited; PI: paternally inherited; The Genome Aggregation Database (gnomAD): 123,136 exomes and 15,496 genomes; The Greater Middle East (GME) Variome: 2,497 exomes; AC: Allele count, AF: Allele frequency; D: Deleterious; T: Tolerated; B: Benign.

Variants were evaluated one by one in concert with personal and familial history in order to determine the most likely causative variants. Moreover, to help in the interpretation process we assessed the functional impact of the identified variants using the Combined Annotation Dependent Depletion (CADD) C-scores. The score cutoff on deleteriousness used > 15 (<http://cadd.gs.washington.edu>) (Table 2).

Table 2: Prediction of variant deleteriousness based on CADD-scores.

Variant	CADD Phred
OBSCN: c.20563C>A; p.R6855S	35
DSC2: c.2603C>T; p.S868F	31
VCL: c.2046A>T; p.L682F	23.3
RBM20: c.1364C>T; p.S455L	23.3
RYR2: c.3660T>A; p.D1220E	23.2
AKAP9: c.4826G>A; p.R1609K	22.8
CACNA1C: c.5383G>A; p.G1795R	17.26

As CADD and other prediction tools mentioned in Table 1 do not predict splice site variants, we used Human Splicing Finder “HSF” (<http://www.umd.be/HSF/HSF.shtml>) to better understand the effect of the *TECRL*; c.331+1G>A variant on the mRNA processing. Two signals have been predicted by HSF (i) a new donor site: the *TECRL*; c.331+1G>A variant is predicted to activate an intronic cryptic donor site leading to a potential splicing alteration (ii) a broken WT donor site consisting in the alteration of the WT donor site and most probably affecting splicing. Moreover, the *TECRL*; c.331+1G>A variant is predicted as pathogenic according to ClinVar (<https://www.ncbi.nlm.nih.gov/clinvar/variation/372283/>).

Since familial segregation is one of the strongest evidence for causality, we checked the state of proband’s father (I:2), whose cardiac examination did not show any abnormalities and he did not have a remarkable medical history.

The proband's father (I:2) was negative for all the prioritized variants, except the *VCL*; p.L682F variant. Accordingly, it will be considered as not causative of cardiac phenotypes in the present family.

CNV analysis

WES-read depth CNV analysis was performed in order to unravel the contribution of potential causal CNV to the genetic etiology of sudden cardiac death in the family. Thus, rare and clinically relevant CNV consisting with the family phenotype were searched. After filtering process two CNV harboring protein coding genes related to the cardiovascular system were identified (Suppl.Table 2).

The first CNV is a duplication encompassing 2 exons of *PIEZO1* gene. Piezo1 is a calcium permeable mechanosensitive channel which induces mechanically activated currents in numerous cell types including cardiomyocytes (Coste et al. 2010; Wong et al. 2018). Moreover, recent studies suggest a pivotal role for Piezo1 in pathophysiological phenotypes such as, pulmonary arterial hypertension and right heart remodeling (Rode et al. 2017).

The second CNV duplication contained the *ABCC6* gene which is associated to the generalized arterial calcification of infancy (MIM number 614473).

Both identified CNV among III:4 and III:5 members are biparentally inherited and inconsistent with the family phenotype (Suppl.Table 2). Consequently, our CNV analysis did not detect causative CNV.

Discussion

A significant number of sudden death cases remain unexplained despite a detailed postmortem investigation (Kaufenstein et al. 2013) and more than 80 % of all sudden death cases are of cardiac origin (Adabag et al. 2010). Previous studies showed that above 40% of sudden cardiac death victims did not present overt cardiac anomalies after autopsy (Priori et al. 1992; Winkel et al. 2011). Moreover, lethal arrhythmia represents the most plausible cause of death (Neubauer et al. 2017).

Approximately 40% of sudden unexplained death in the young cases are caused by both structural and non-structural heart abnormalities (Basso et al. 2010; Bagnall et al. 2014). Indeed, the mechanism underlying sudden cardiac death is ventricular arrhythmias which is more likely associated with a dysfunction of the electrical activity in the heart, a key factor of the cardiac rhythmicity (Maron 2003). Mutations in genes encoding cardiac ion channels and their related proteins leading to a gain or a loss of function of one or more ionic currents alters the balance between the depolarizing and repolarizing forces during the ventricular action potential (Brion et al. 2015). Thus, in our analysis we considered genes encoding ion channels as well as structural proteins due to cardiac phenotypes continuum and the clinical and genetic overlap (Noorman et al. 2013; Agullo-Pascual et al. 2014; Sarquella-Brugada et al. 2016).

In the present study, we report on a Tunisian family with a marked history of sudden unexplained cardiac death. Genetic investigation of *SCN5A* gene ruled-out the presence of *SCN5A*-related disorders. Hence, family-based whole exome sequencing was performed and 8 ultra-rare pathogenic variants were identified consistent with an oligogenic model of inheritance (Table1).

The proband and her offspring (II:2, III:4 and III:5) share 4 likely pathogenic heterozygous variants in *OBSCN*, *DSC2*, *RYR2* and *AKAP9* genes. The children (III:4 AND III:5) carry, in

addition to the maternally inherited variants, two other heterozygous variants inherited from their father (II:1) in *RBM20* and *CACNA1C* genes. The *TECRL*; c.331+1G>A variant is found to be homozygous in the deceased child (III:4) and heterozygous in both parents (II:1, II:2) and the child (III:5) (Figure 1). We hypothesize that the combination of all these likely pathogenic variants could explain the phenotype and the occurrence of sudden cardiac death among the children. Of note, the individual III:5 had an implantable cardioverter defibrillator (ICD) at the age of 8 years-old in order to prevent lethal arrhythmias. This decision was made after the death of all her siblings and before the genetic investigation by WES was performed.

The *OBSCN*; c.20563C>A; p.R6855S variant is absent in all public databases as well as in our *in-house* database of Tunisian exomes. The *OBSCN* gene has been recently associated to different subsets of cardiomyopathies (Arimura et al. 2007; Marston et al. 2015; Marston 2017a). Marston et al. reported that *OBSCN* variants may act in concert with variants in the same or other genes to initiate a cardiac pathology (Marston et al. 2015; Marston 2017a). Moreover, mutations in sarcomeric genes have been related to sudden cardiac death in the absence of conventional risk factors. The disruption of sarcomeric activity could alter intracellular calcium homeostasis and be responsible for arrhythmogenesis (Brion et al. 2012). Interestingly, the *OBSCN* gene interacts directly with sarcomeric proteins and Ca²⁺ handling proteins of the sarcoplasmic reticulum (Arimura et al. 2007; Marston 2017b). According to the scoring of combined annotation dependent depletion (CADD), the *OBSCN* c.20563C>A; p.R6855S variant, identified in our study, has the highest score of deleteriousness (Table 2). Considering all these findings and given the rarity and novelty of this variant, we hypothesize that it may contribute to the severity of the phenotype.

The *RYR2*; c.3660T>A; p.D1220E variant has not been previously reported in the literature. In addition, the variant is absent in all population databases. We also queried our *in-house* Tunisian database and the variant is not present. Recently, the *RYR2*; c.3660T>A; p.D1220E was submitted by Trans-Omics for Precision Medicine (TOPMed) in dbSNP (https://www.ncbi.nlm.nih.gov/SNP/snp_ref.cgi?rs=rs1019112544). The *RYR2* gene encodes a ryanodine receptor type 2 expressed in sarcoplasmic reticulum of the cardiac muscle. It mediates Ca²⁺ release from the sarcoplasmic reticulum into the cytoplasm and plays a crucial role in triggering cardiac muscle contraction. The dysregulation of *RYR2* leads to potentially lethal cardiac arrhythmias (Huang et al. 2014). Indeed, *RYR2* mutations lead to spontaneous diastolic Ca²⁺ release that activates the Na⁺/Ca²⁺ antiporter by increasing Ca²⁺ levels in the cytosol (Bezzina et al. 2015).

Interestingly, the models of smooth and cardiac muscle excitation-contraction coupling assume that *CACNA1C* and *RYR2* affect the activity of each other only through changes in Ca²⁺ at the calcium release unit (Franzini-Armstrong 2004). A mode of interaction and communication between *RYR2* and *CACNA1C* via *Homer 1* scaffolding protein has been reported, this has an important implications for the regulation of smooth and possibly cardiac muscle excitation-contraction coupling (Huang et al. 2007).

The activation of the L-type calcium channel Ca_v1.2 encoded by the *CACNA1C* gene increases the Ca²⁺ level that triggers the calcium release in cardiomyocytes (Neubauer et al. 2017). A molecular and functional study in 82 sudden unexplained death in the young cases provides evidence that *CACNA1C* rare variants may contribute to the pathogenic basis of some autopsy-negative sudden unexplained death in the young cases through either gain or loss of function mechanism (Sutphin et al. 2016).

Furthermore, several studies have investigated the relation between genes of the desmosome and components of cardiac electrical activity (Delmar 2012; Noorman et al. 2013; Cerrone and Delmar 2014). Previous cases of sudden cardiac death carrying multiple mutations in both structural and non-structural genes have been reported (Sarquella-Brugada et al. 2016). Hence, the combination of variants in genes implicated in the Ca²⁺ release mechanisms such as *RYR2*, *CACNA1C* and the desmosomal gene *DSC2* might lead to the occurrence of arrhythmias events in our cases.

The *TECRL*; c.331+1G>A variant has been reported once in a Sudanese family with CPVT (Devalla et al. 2016). In this same study, Devalla et al., reported two other families with overlapping clinical features of long QT syndrome and CPVT carrying mutations in *TECRL* gene. The *TECRL* gene encoded the trans-2,3-enoyl-CoA reductase-like protein which is an endoplasmic reticulum protein predominantly expressed in the heart. More recently, a second study confirmed the association of heterozygous compound mutations in the *TECRL* gene with CPVT (Xie et al. 2019). Of note, in the present family, no additional variants in the *TECRL* gene were found. Thus, we reported the second family in the literature harboring the c.331+1G>A variant in *TECRL*. However, the medical history of the family and the latest cardiac evaluation of the mother (II:2) and her daughter (III:5) did not show any recognized symptoms of long QT syndrome or CPVT.

We hypothesize that *TECRL* gene could be associated to other cardiac disorders and/or contribute to the high risk of severe arrhythmias. Furthermore, heterozygote carriers of the *TECRL* variant may present a variable expressivity of the cardiac phenotype or be asymptomatic. Indeed, the assessment of risk status of heterozygous carriers of *TECRL*

mutations will require the identification of a larger number of cases and genotype/phenotype correlations.

On the other hand, variants in *AKAP9* gene have been associated with cardiac event risk as well as disease severity (de Villiers et al. 2014). Recently, Neubauer et al. (2018) investigated a cohort of 34 sudden unexplained death victims by focusing on candidate genes involved in cardiomyopathies and channelopathies and identified a heterozygous missense variant in *AKAP9* in one case (Neubauer et al. 2018).

Additionally, mutations in *RBM20* have been linked to aggressive form of familial dilated cardiomyopathy (Wells et al. 2013; van den Hoogenhof et al. 2018). A recent study revealed that Ca^{2+} mishandling caused by complete and heterozygous *RBM20* mutations underlies the high risk of malignant arrhythmias. Indeed, functional studies showed splicing abnormalities in Ca^{2+} and ion handling channels such as *RYR2* after loss of *RBM20* in human, rat and mouse (van den Hoogenhof et al. 2018).

Most likely, variants in *RBM20* and *AKAP9* genes may modify the clinical expression of the disease but not directly associated with the occurrence of a life-threatening rhythmic event among the children of the present family.

In the present study, the inheritance pattern of the missense variants and the *TECRL* splicing variant identified is consistent with an oligogenic model of inheritance. Oligogenic inheritance may be associated with more severe symptoms such as acceleration of the disease progression and life-threatening arrhythmias (Bezzina et al. 2015; Li et al. 2017).

Although some cardiac disorders are clearly mendelian with a strong monogenic cause, the pattern of inheritance of numerous heritable cardiac diseases still unclear. Several studies

challenged the concept of “one gene one disease” and a complex pattern of inheritance has been proposed. Bezzina et al. supported the notion that a continuum of complexity of genetic factors exists. Therefore, other models of inheritance have been advanced such as: “near mendelian” inheritance where a strong genetic factor is modulated by additional genetic variants whereas other diseases will be oligogenic (Bezzina et al. 2015).

It has been reported that a subset of hypertrophic cardiomyopathy might be oligogenic caused by several pathogenic variants in genes implicated in familial hypertrophic cardiomyopathy and their aggregation is associated with the severity of the phenotype (Li et al. 2017). In the same context, Gifford et al. (2018) showed that a human congenital heart defect, the left ventricular non-compaction cardiomyopathy, can be caused by a combination of rare, inherited heterozygous missense variants (Gifford et al. 2018). Most recently, Cowan et al. (2018) demonstrated that additional genetic variants underlie dilated cardiomyopathy in 6 families with non-segregating *LMNA* pedigrees and support multigenic and bilineal inheritance in these families (Cowan et al. 2018). In the light of all these studies and the thorough genetic analysis of the present family, our results provide further evidence of oligogenic pattern of inheritance in complex cardiac disorder such as sudden cardiac death.

It is noteworthy that, clinically, none of the sequenced member of the present family corresponds to a fully recognizable cardiac disease or syndrome. Recent clinical follow-up of the mother (II:2) and her daughter (III:5) did not reveal any clinical manifestations of a definite diagnosis of the initially suspected diseases, namely, Brugada syndrome, arrhythmogenic cardiomyopathy, dilated cardiomyopathy, early repolarization syndrome and CPVT. The phenotypic variability in this family, as well as the anticipated age of sudden

death among the third generation, are likely caused by the mutational load of all variants in genes involved in different cardiac pathways.

In conclusion, whole exome sequencing of several individuals of the same family and segregation analysis allowed us to identify multiple variants likely responsible for sudden cardiac death.

As calcium is highly required for cardiac muscle excitation-contraction coupling, we hypothesized that calcium mishandling is the most plausible pathophysiological cause of lethal arrhythmias among deceased children.

Acknowledgements

We would like to thank the family for their collaboration. We gratefully acknowledge Dr. Florence Kyndt and Dr. Juliette Albuisson for their help in *SCN5A* sequencing. This work was supported by the Tunisian Ministry of Public Health, the Ministry of Higher Education and Scientific Research (LR16IPT05) and Excellence Initiative of Aix-Marseille University - A*MIDEX, a French “Investissements d’Avenir” programme (RARE-MED project).

Funding Sources

This research received no specific grant from any funding agency, commercial or not-for-profit sectors.

Conflicts of interest: The authors declare that they have no conflict of interest.

Ethical approval: All procedures performed in studies involving human participants were in accordance with the ethical standards of the institutional and/or national research

committee (Registration number: IRB00005445, FWA00010074) and with the 1964 Helsinki declaration and its later amendments or comparable ethical standards.

Informed consent: Written informed consent was obtained from the family members included in this study or their guardians.

Author contributions statement

Study concept and design: SA, SZ, VD, NL, HJ.

Clinical Investigation of the patient and family members: SC, RM, AZ, LK.

Molecular investigation: HJ.

Analysis and interpretation of data: HJ, YB, HD, SE, MN, SZ, SA.

Supervision: RB, SA, SZ.

Validation: SA, SC, SZ.

Writing – Original Draft Preparation: HJ.

Critical – Review & Editing: RB, LK, SA, SZ.

References

- Adabag AS, Luepker RV, Roger VL, Gersh BJ (2010) Sudden cardiac death: epidemiology and risk factors. *Nat Rev Cardiol* 7:216–225. <https://doi.org/10.1038/nrcardio.2010.3>
- Agullo-Pascual E, Cerrone M, Delmar M (2014) Arrhythmogenic cardiomyopathy and Brugada syndrome: diseases of the connexome. *FEBS Lett* 588:1322–1330. <https://doi.org/10.1016/j.febslet.2014.02.008>
- Arimura T, Matsumoto Y, Okazaki O, et al (2007) Structural analysis of obscurin gene in hypertrophic cardiomyopathy. *Biochem Biophys Res Commun* 362:281–287. <https://doi.org/10.1016/j.bbrc.2007.07.183>
- Bagnall RD, Das K J, Duflou J, Semsarian C (2014) Exome analysis-based molecular autopsy in cases of sudden unexplained death in the young. *Heart Rhythm* 11:655–662. <https://doi.org/10.1016/j.hrthm.2014.01.017>

- Basso C, Carturan E, Pilichou K, et al (2010) Sudden cardiac death with normal heart: Cardiovasc Pathol 19:321–325. <https://doi.org/10.1016/j.carpath.2010.02.003>
- Behr E, Wood DA, Wright M, et al (2003) Cardiological assessment of first-degree relatives in sudden arrhythmic death syndrome. Lancet Lond Engl 362:1457–1459
- Behr ER, Dalageorgou C, Christiansen M, et al (2008) Sudden arrhythmic death syndrome: familial evaluation identifies inheritable heart disease in the majority of families. Eur Heart J 29:1670–1680. <https://doi.org/10.1093/eurheartj/ehn219>
- Bezzina CR, Lahrouchi N, Priori SG (2015) Genetics of Sudden Cardiac Death. Circ Res 116:1919–1936. <https://doi.org/10.1161/CIRCRESAHA.116.304030>
- Brion M, Allegue C, Santori M, et al (2012) Sarcomeric gene mutations in sudden infant death syndrome (SIDS). Forensic Sci Int 219:278–281. <https://doi.org/10.1016/j.forsciint.2012.01.018>
- Brion M, Blanco-Verea A, Sobrino B, et al (2014) Next generation sequencing challenges in the analysis of cardiac sudden death due to arrhythmogenic disorders. Electrophoresis 35:3111–3116. <https://doi.org/10.1002/elps.201400148>
- Brion M, Sobrino B, Martinez M, et al (2015) Massive parallel sequencing applied to the molecular autopsy in sudden cardiac death in the young. Forensic Sci Int Genet 18:160–170. <https://doi.org/10.1016/j.fsigen.2015.07.010>
- Cerrone M, Delmar M (2014) Desmosomes and the sodium channel complex: implications for arrhythmogenic cardiomyopathy and Brugada syndrome. Trends Cardiovasc Med 24:184–190. <https://doi.org/10.1016/j.tcm.2014.02.001>
- Christiansen SL, Hertz CL, Ferrero-Miliani L, et al (2016) Genetic investigation of 100 heart genes in sudden unexplained death victims in a forensic setting. Eur J Hum Genet 24:1797–1802. <https://doi.org/10.1038/ejhg.2016.118>
- Coll M, Pérez-Serra A, Mates J, et al (2017) Incomplete Penetrance and Variable Expressivity: Hallmarks in Channelopathies Associated with Sudden Cardiac Death. Biology 7:. <https://doi.org/10.3390/biology7010003>
- Coste B, Mathur J, Schmidt M, et al (2010) Piezo1 and Piezo2 are essential components of distinct mechanically activated cation channels. Science 330:55–60. <https://doi.org/10.1126/science.1193270>
- Cowan JR, Kinnamon DD, Morales A, et al (2018) Multigenic Disease and Bilineal Inheritance in Dilated Cardiomyopathy Is Illustrated in Nonsegregating LMNA Pedigrees. Circ Genomic Precis Med 11:e002038. <https://doi.org/10.1161/CIRCGEN.117.002038>
- de Villiers CP, van der Merwe L, Crotti L, et al (2014) AKAP9 is a Genetic Modifier of Congenital Long-QT Syndrome Type 1. Circ Cardiovasc Genet 7:599–606. <https://doi.org/10.1161/CIRCGENETICS.113.000580>

- Delmar M (2012) Desmosome–Ion Channel Interactions and Their Possible Role in Arrhythmogenic Cardiomyopathy. *Pediatr Cardiol* 33:975–979. <https://doi.org/10.1007/s00246-012-0257-0>
- Devalla HD, Gélinas R, Aburawi EH, et al (2016) TECRL, a new life-threatening inherited arrhythmia gene associated with overlapping clinical features of both LQTS and CPVT. *EMBO Mol Med* 8:1390–1408. <https://doi.org/10.15252/emmm.201505719>
- Franzini-Armstrong C (2004) Functional implications of RyR-dHPR relationships in skeletal and cardiac muscles. *Biol Res* 37:507–512
- Gifford CA, Ranade SS, Samarakoon R, et al (2018) Oligogenic inheritance of congenital heart disease involving a NKX2-5 modifier. <https://doi.org/10.1101/266726>
- Hata Y, Kinoshita K, Mizumaki K, et al (2016) Postmortem genetic analysis of sudden unexplained death syndrome under 50 years of age: A next-generation sequencing study. *Heart Rhythm* 13:1544–1551. <https://doi.org/10.1016/j.hrthm.2016.03.038>
- Huang G, Kim JY, Dehoff M, et al (2007) Ca²⁺ Signaling in Microdomains: Homer1 MEDIATES THE INTERACTION BETWEEN RyR2 AND Cav1.2 TO REGULATE EXCITATION-CONTRACTION COUPLING. *J Biol Chem* 282:14283–14290. <https://doi.org/10.1074/jbc.M611529200>
- Huang L, Liu C, Tang S, et al (2014) Postmortem genetic screening of SNPs in RyR2 gene in sudden unexplained nocturnal death syndrome in the southern Chinese Han population. *Forensic Sci Int* 235:14–18. <https://doi.org/10.1016/j.forsciint.2013.12.007>
- Kaufenstein S, Kiehne N, Jenewein T, et al (2013) Genetic analysis of sudden unexplained death: A multidisciplinary approach. *Forensic Sci Int* 229:122–127. <https://doi.org/10.1016/j.forsciint.2013.03.050>
- Lahrouchi N, Raju H, Lodder EM, et al (2017) Utility of Post-Mortem Genetic Testing in Cases of Sudden Arrhythmic Death Syndrome. *J Am Coll Cardiol* 69:2134–2145. <https://doi.org/10.1016/j.jacc.2017.02.046>
- Li L, Bainbridge MN, Tan Y, et al (2017) A Potential Oligogenic Etiology of Hypertrophic Cardiomyopathy Novelty and Significance: A Classic Single-Gene Disorder. *Circ Res* 120:1084–1090. <https://doi.org/10.1161/CIRCRESAHA.116.310559>
- Lopes LR, Murphy C, Syrris P, et al (2015) Use of high-throughput targeted exome-sequencing to screen for copy number variation in hypertrophic cardiomyopathy. *Eur J Med Genet* 58:611–616. <https://doi.org/10.1016/j.ejmg.2015.10.001>
- Maron BJ (2003) Sudden death in young athletes. *N Engl J Med* 349:1064–1075. <https://doi.org/10.1056/NEJMra022783>
- Marston S (2017a) Obscurin variants and inherited cardiomyopathies. *Biophys Rev*. <https://doi.org/10.1007/s12551-017-0264-8>

- Marston S (2017b) Obscurin variants and inherited cardiomyopathies. *Biophys Rev* 9:239–243. <https://doi.org/10.1007/s12551-017-0264-8>
- Marston S, Montgiraud C, Munster AB, et al (2015) OBSCN Mutations Associated with Dilated Cardiomyopathy and Haploinsufficiency. *PLOS ONE* 10:e0138568. <https://doi.org/10.1371/journal.pone.0138568>
- Neubauer J, Lecca MR, Russo G, et al (2017) Post-mortem whole-exome analysis in a large sudden infant death syndrome cohort with a focus on cardiovascular and metabolic genetic diseases. *Eur J Hum Genet* 25:404–409. <https://doi.org/10.1038/ejhg.2016.199>
- Neubauer J, Lecca MR, Russo G, et al (2018) Exome analysis in 34 sudden unexplained death (SUD) victims mainly identified variants in channelopathy-associated genes. *Int J Legal Med*. <https://doi.org/10.1007/s00414-018-1775-y>
- Noorman M, Hakim S, Kessler E, et al (2013) Remodeling of the cardiac sodium channel, connexin43, and plakoglobin at the intercalated disk in patients with arrhythmogenic cardiomyopathy. *Heart Rhythm Off J Heart Rhythm Soc* 10:412–419. <https://doi.org/10.1016/j.hrthm.2012.11.018>
- Plagnol V, Curtis J, Epstein M, et al (2012) A robust model for read count data in exome sequencing experiments and implications for copy number variant calling. *Bioinforma Oxf Engl* 28:2747–2754. <https://doi.org/10.1093/bioinformatics/bts526>
- Priori SG, Borggrefe M, Camm AJ, et al (1992) Unexplained cardiac arrest. The need for a prospective registry. *Eur Heart J* 13:1445–1446
- Priori SG, Wilde AA, Horie M, et al (2013) HRS/EHRA/APHRS expert consensus statement on the diagnosis and management of patients with inherited primary arrhythmia syndromes: document endorsed by HRS, EHRA, and APHRS in May 2013 and by ACCF, AHA, PACES, and AEPC in June 2013. *Heart Rhythm* 10:1932–1963. <https://doi.org/10.1016/j.hrthm.2013.05.014>
- Rode B, Shi J, Endesh N, et al (2017) Piezo1 channels sense whole body physical activity to reset cardiovascular homeostasis and enhance performance. *Nat Commun* 8:350. <https://doi.org/10.1038/s41467-017-00429-3>
- Sarquella-Brugada G, Campuzano O, Cesar S, et al (2016) Sudden infant death syndrome caused by cardiac arrhythmias: only a matter of genes encoding ion channels? *Int J Legal Med* 130:415–420. <https://doi.org/10.1007/s00414-016-1330-7>
- Sutphin BS, Boczek NJ, Barajas-Martínez H, et al (2016) Molecular and Functional Characterization of Rare CACNA1C Variants in Sudden Unexplained Death in the Young. *Congenit Heart Dis* 11:683–692. <https://doi.org/10.1111/chd.12371>
- Tan R, Wang Y, Kleinstein SE, et al (2014) An evaluation of copy number variation detection tools from whole-exome sequencing data. *Hum Mutat* 35:899–907. <https://doi.org/10.1002/humu.22537>

- van den Hoogenhof MMG, Beqqali A, Amin AS, et al (2018) RBM20 Mutations Induce an Arrhythmogenic Dilated Cardiomyopathy Related to Disturbed Calcium Handling. *Circulation*. <https://doi.org/10.1161/CIRCULATIONAHA.117.031947>
- van der Werf C, van Langen IM, Wilde AAM (2010) Sudden death in the young: what do we know about it and how to prevent? *Circ Arrhythm Electrophysiol* 3:96–104. <https://doi.org/10.1161/CIRCEP.109.877142>
- Wells QS, Becker JR, Su YR, et al (2013) Whole exome sequencing identifies a causal RBM20 mutation in a large pedigree with familial dilated cardiomyopathy. *Circ Cardiovasc Genet* 6:317–326. <https://doi.org/10.1161/CIRCGENETICS.113.000011>
- Wilhelm M, Bolliger SA, Bartsch C, et al (2015) Sudden cardiac death in forensic medicine – Swiss recommendations for a multidisciplinary approach. *Swiss Med Wkly* 145:w14129. <https://doi.org/10.4414/smw.2015.14129>
- Winkel BG, Holst AG, Theilade J, et al (2011) Nationwide study of sudden cardiac death in persons aged 1-35 years. *Eur Heart J* 32:983–990. <https://doi.org/10.1093/eurheartj/ehq428>
- Wong T-Y, Juang W-C, Tsai C-T, et al (2018) Mechanical Stretching Simulates Cardiac Physiology and Pathology through Mechanosensor Piezo1. *J Clin Med* 7:. <https://doi.org/10.3390/jcm7110410>
- Xie L, Hou C, Jiang X, et al (2019) A compound heterozygosity of *Tecr1* gene confirmed in a catecholaminergic polymorphic ventricular tachycardia family. *Eur J Med Genet* 62:103631. <https://doi.org/10.1016/j.ejmg.2019.01.018>

Table 1: List of variants identified in this study.

Table 2: Prediction of variant deleteriousness based on CADD-scores.

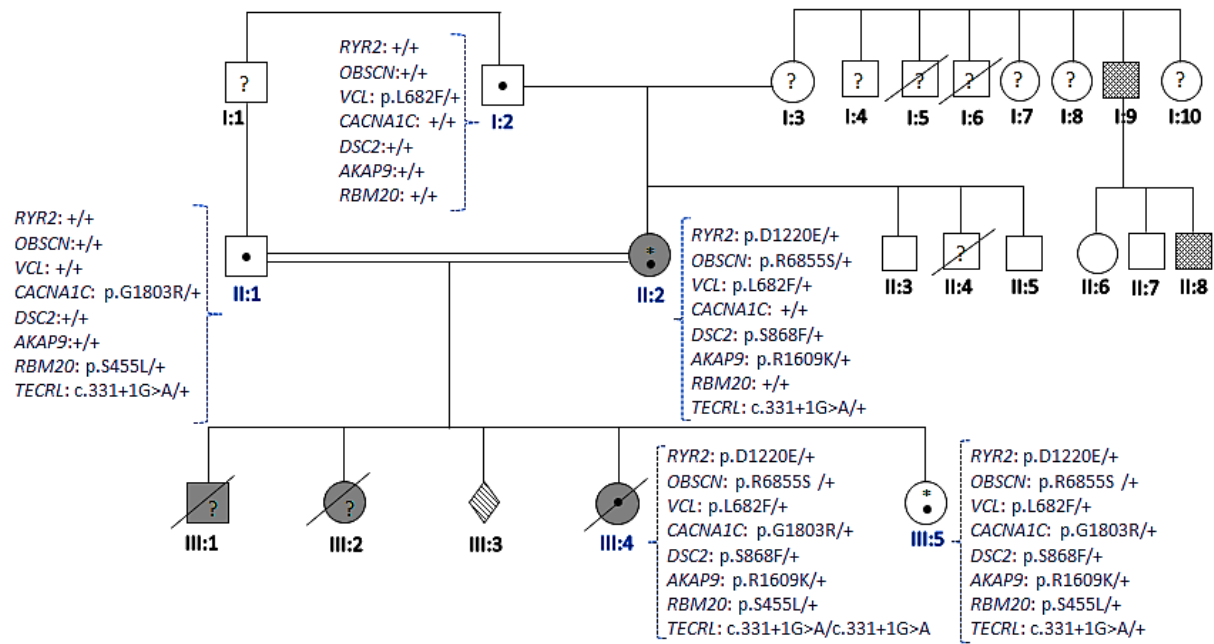


Fig. 1: Pedigree of the family. The white symbols represent healthy members; the filled gray symbols represent affected members. The crossed symbols represent deceased members. The members highlighted by asterisks received an ICD. The individuals highlighted by black dot were genetically and clinically evaluated and those by question mark were genetically and clinically not evaluated. The autopsied fetus is marked by the diamond symbol. The candidate variants are listed beside each member. Plus sign indicates the wild type allele.

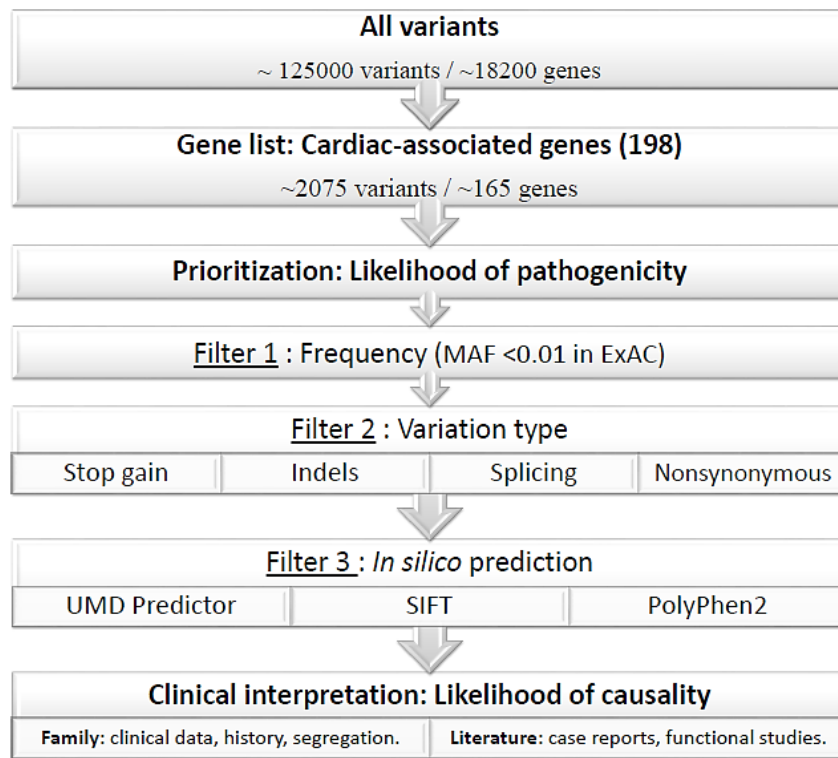


Fig.2: Filtering strategy after automatic variant calling and annotation.

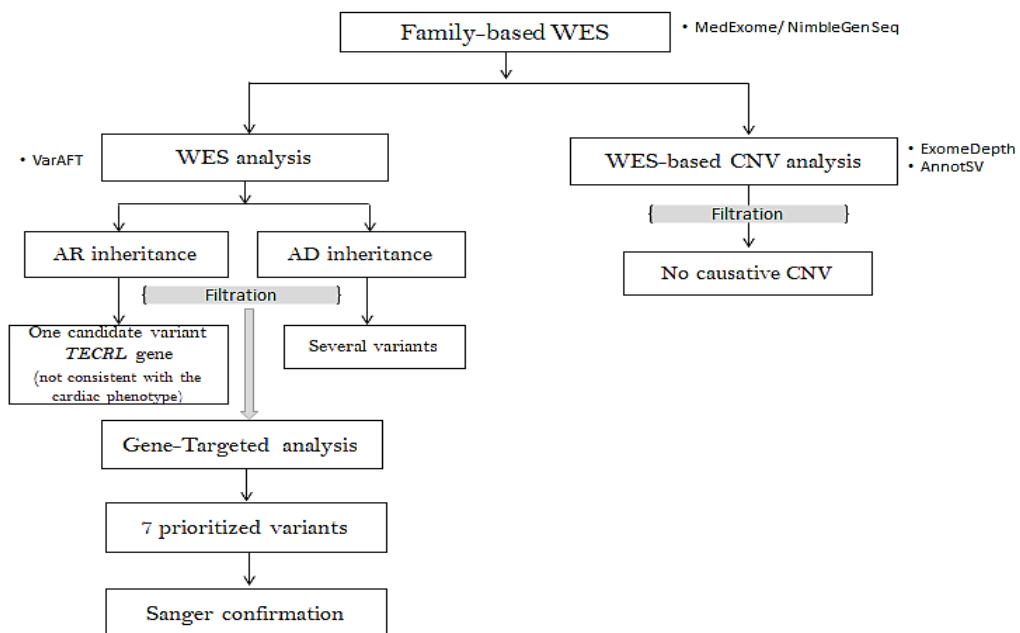


Fig.3: Genetic study design flowchart.