



HAL
open science

An energy efficient 3D printed leg for bio-inspired hexapod robots

Ilya Brodoline, Stéphane Viollet, Julien Serres

► To cite this version:

Ilya Brodoline, Stéphane Viollet, Julien Serres. An energy efficient 3D printed leg for bio-inspired hexapod robots. Journée des Jeunes Chercheurs en Robotique 2019 (JJCR'19), Oct 2019, Vittel, France. , 2019. hal-03326480

HAL Id: hal-03326480

<https://amu.hal.science/hal-03326480>

Submitted on 26 Aug 2021

HAL is a multi-disciplinary open access archive for the deposit and dissemination of scientific research documents, whether they are published or not. The documents may come from teaching and research institutions in France or abroad, or from public or private research centers.

L'archive ouverte pluridisciplinaire **HAL**, est destinée au dépôt et à la diffusion de documents scientifiques de niveau recherche, publiés ou non, émanant des établissements d'enseignement et de recherche français ou étrangers, des laboratoires publics ou privés.



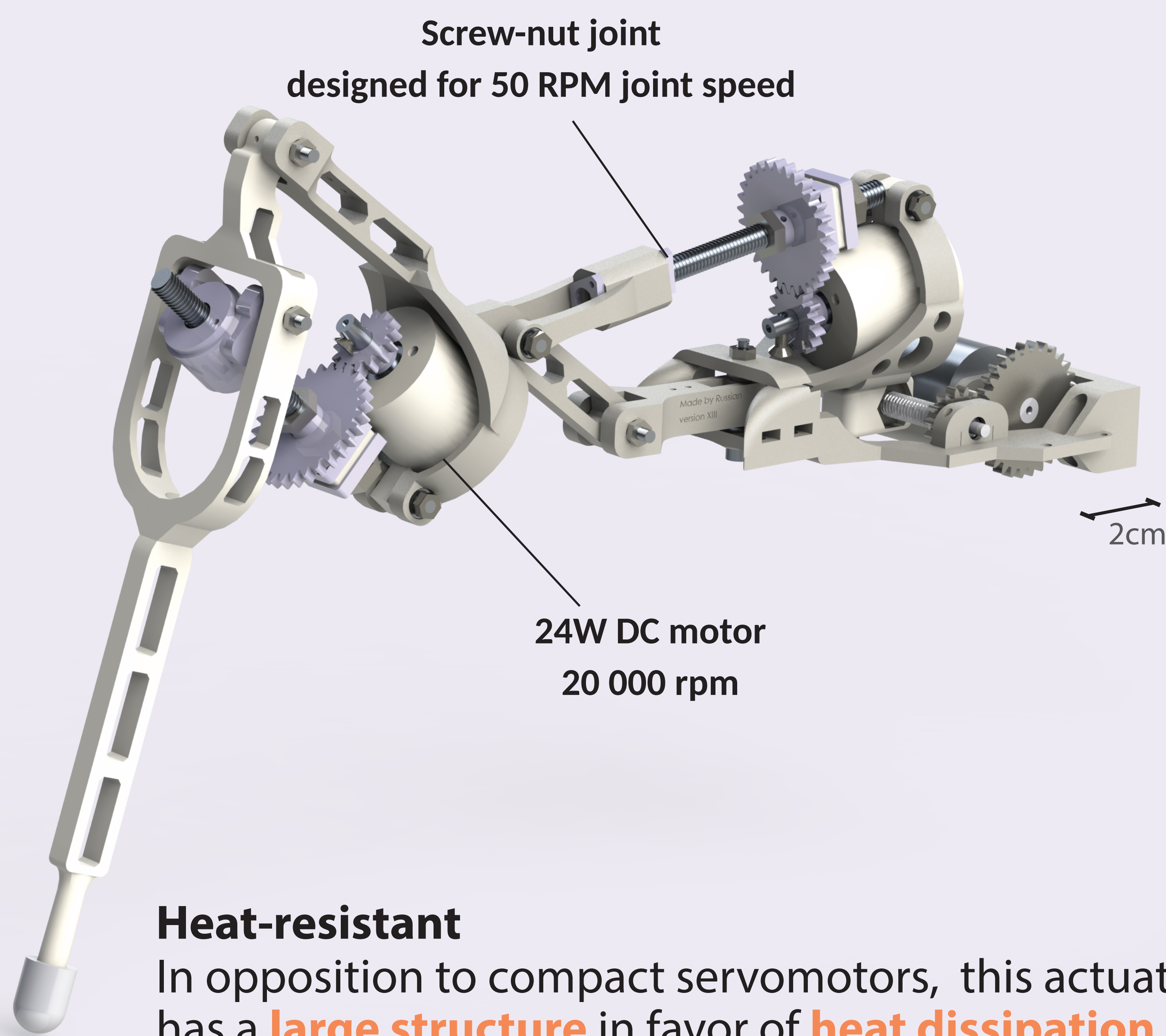
Distributed under a Creative Commons Attribution 4.0 International License

CONTEXT



Servomotors are the mostly used actuators for small electric legged robots. Is it possible to design a new actuator, optimized for small hexapod robots? [1], [4]

MECHANICS



Heat-resistant

In opposition to compact servomotors, this actuator has a **large structure** in favor of **heat dissipation**.

Design

New 3D printable leg

Mostly composed of **3D printed parts**, this new leg has a reduced price of manufacturing. In association with some aluminium parts, the total mass equals to **300 grams**.

Materials : SLA resin, PLA, Aluminium.

Energy saving mechanics

Screw-nut mechanism is **irreversible**. Therefore, there is no energy consumption when a joint is not used.

Servomotor vs Irreversible Joint

	Servomotor (ex : AX18-A)	Ir. Joint
+ Price	<100€	~20€
- Speed	100 rpm	~50 rpm
= Torque	1.7Nm	3.6Nm
+ Passive State Power	3.6W	0W

BIOLOGICAL ASPECTS

Bio-inspired leg

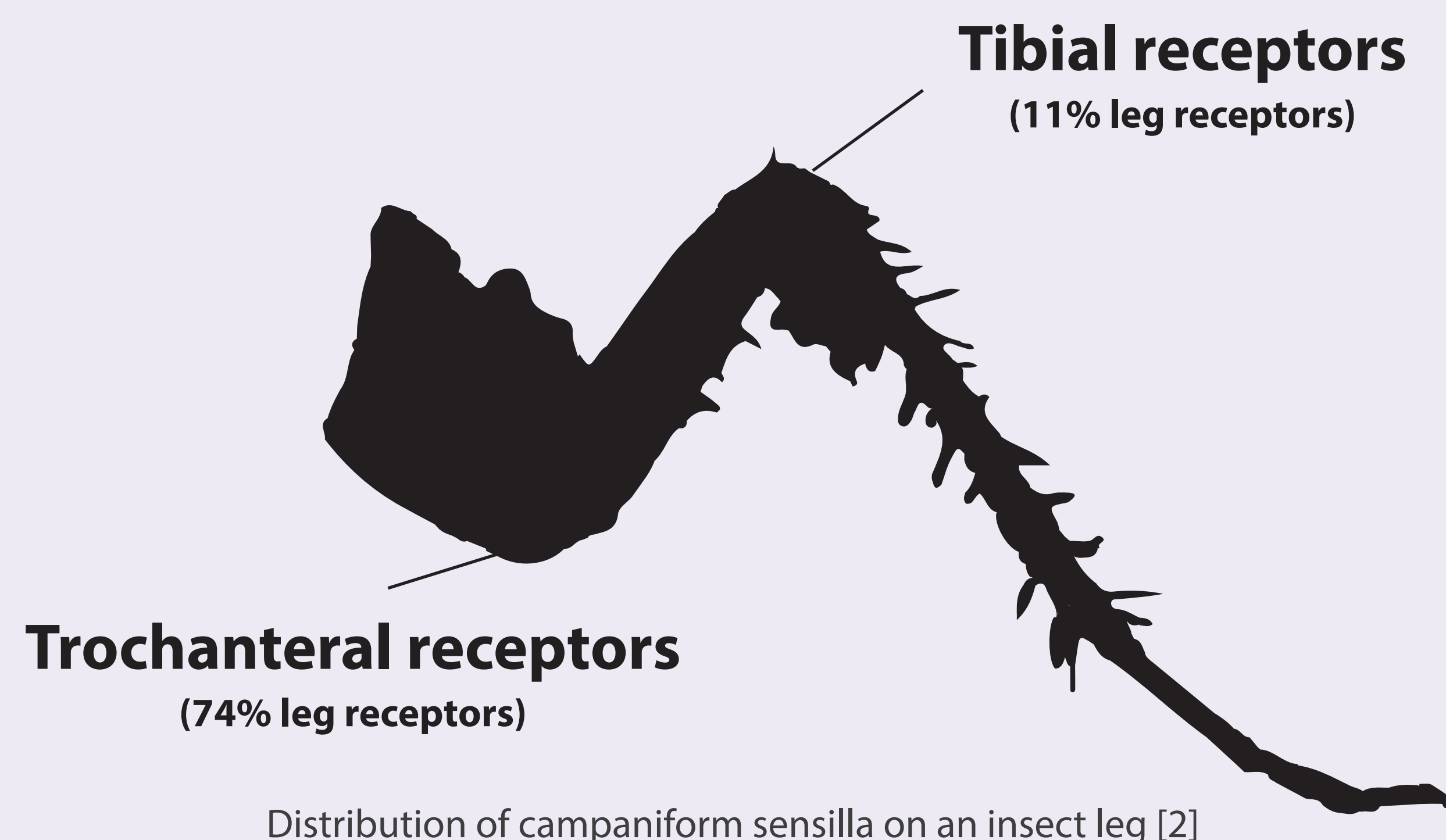
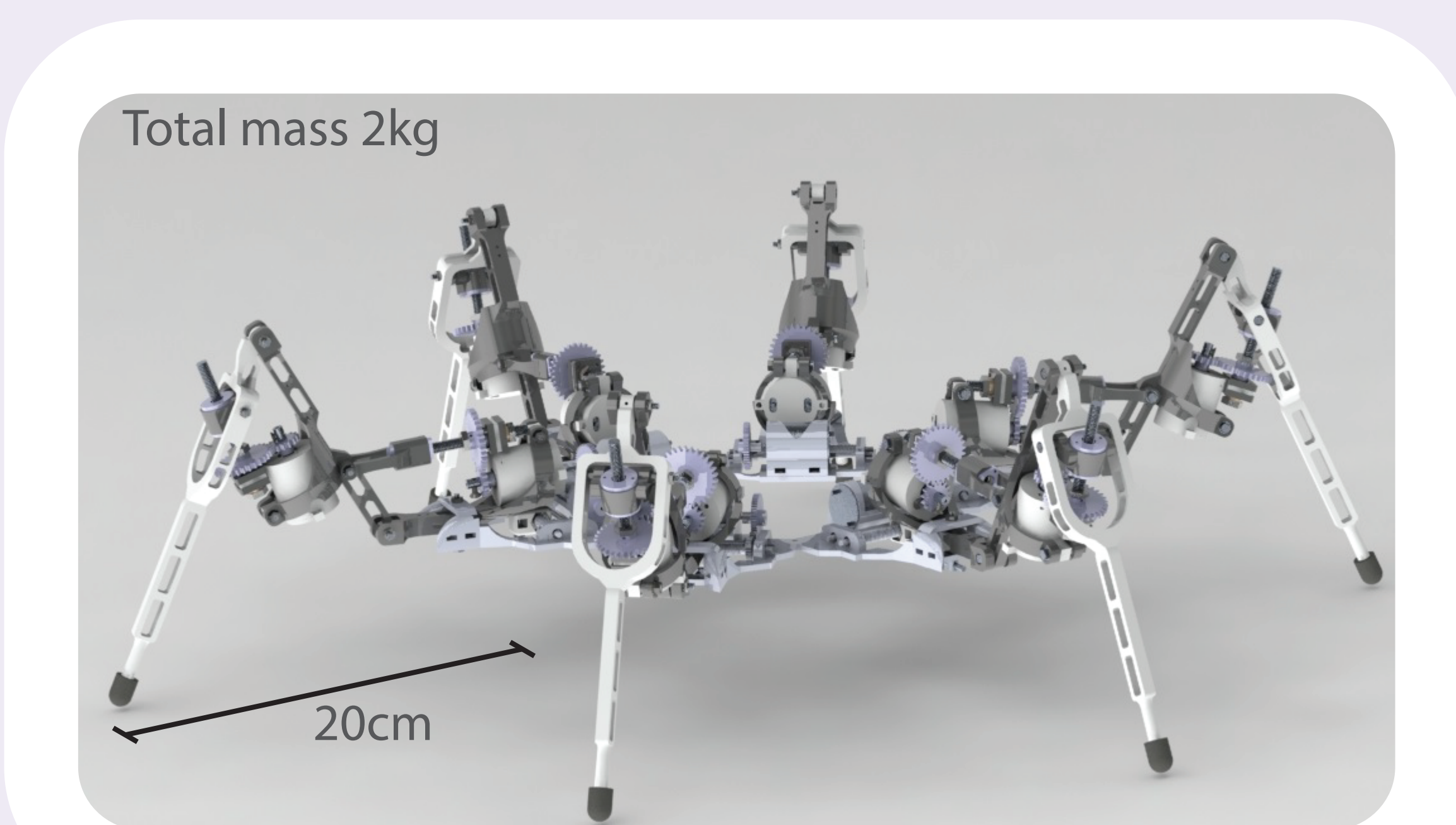
Sized from Cataglyphis Fortis ant

To provide a reliable leg structure able to be used by biologists as a **model for hexapod insect-type robots**. The joints angles limits and lengths were measured from ants and scaled 1:20. [1],[3]

Perspectives

Force sensors

Next step of the project is to implement **force sensor at strategic location**, most representatives the campaniform sensilla groups. [2]



Bio-inspired hexapod robot

New robot leg should be tested on a **hexapod robot**, to verify its accuracy and efficiency compared to classical servomotor based robot. [1]

[1] J. Dupeyroux, J. R. Serres, S. Viollet, Science Robotics, 2019

[2] S. Zill et al., Arthropod Structure & Development 33, 273–286, 2004

[3] R. Wehner, Senckenbergiana biol., Vol 64, pages 89-132, 1983

[4] K. Sangbae, P. M. Wensing, Foundations and Trends in Robotics, Vol 5, 2014